

Nota:

a = înaltime totala echipament

b = latime echipament

c = înaltime usa frigider

d = înaltime usa congelator

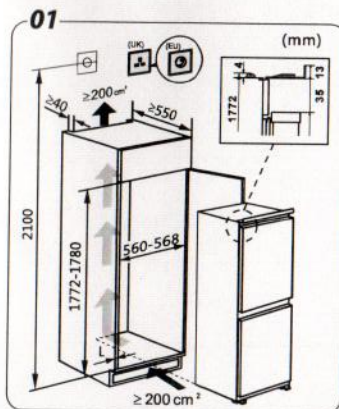
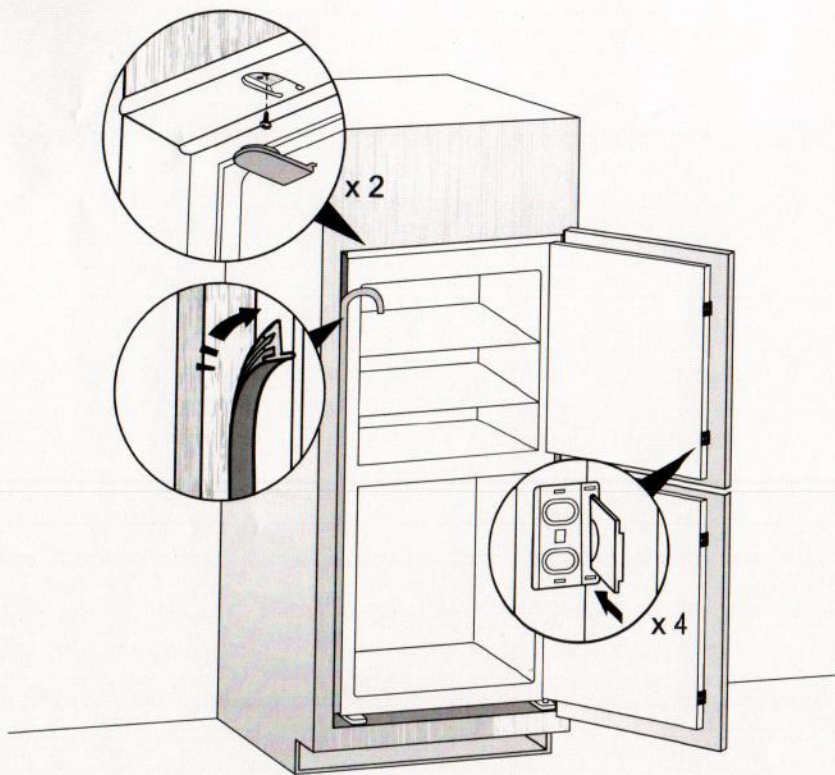
e = adancime echipament

f = unghi max deschidere usa

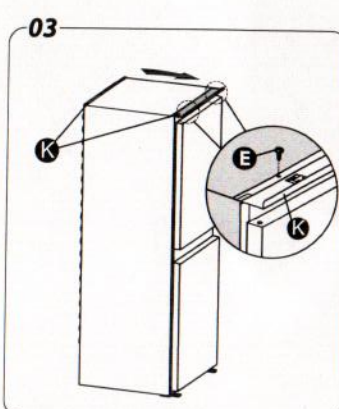
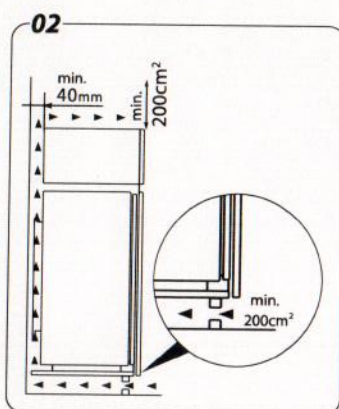
a	b	c	d	e	f
1772	540	990	632	71	≧ 95°

ilt-In Fridge Freezer

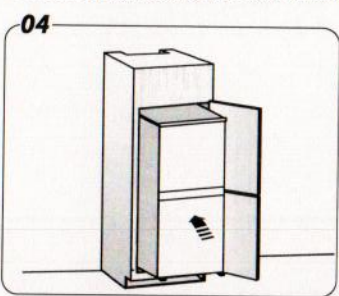
ation instructions



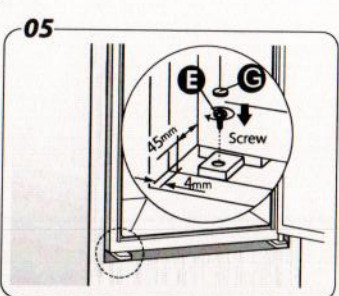
Ensure there is clearance each side of the unit to allow slight sideways movement for servicing when required. Parameters of appliance refer to User's Operation Manual.



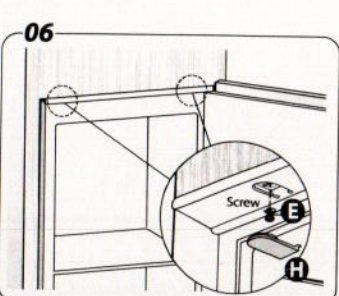
Remove Part K from the back to the front and tighten the top hinge bracket.



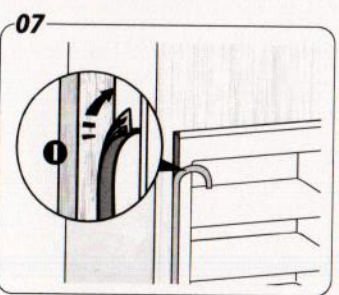
Slowly and carefully push the unit into the installation compartment.



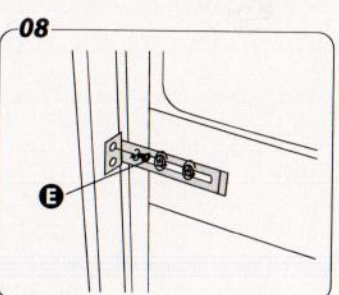
Tighten the bottom hinge and place the covers on top.



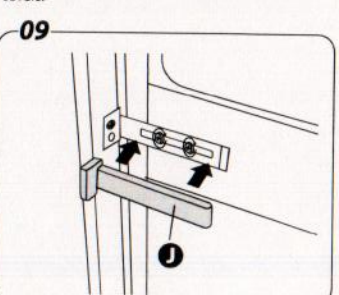
Tighten the top hinge bracket and place the screw covers.



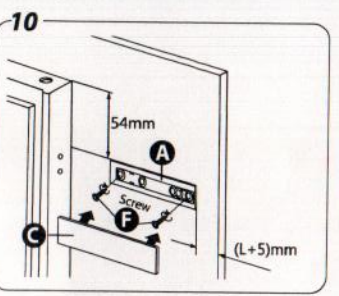
Cut the right length of the rubber strip and place the rubber strip at the side of the cabinet cover.



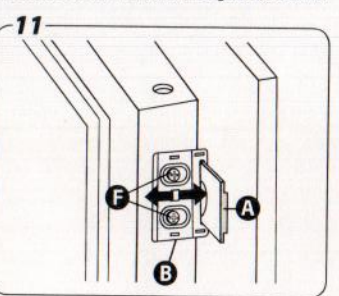
Slightly loosen the screws. Adjust the connecting bracket to contact the cabinet and tighten both sides.



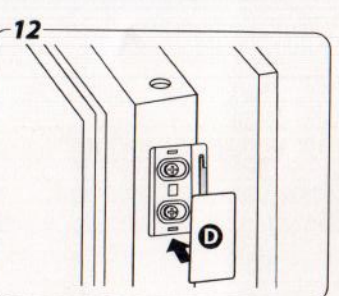
Tighten the screws of both sides and place the covers.



Ensure that the correct measurement is used for the Part A installation. Tighten the screws and place Cover C onto Part A.



Place Part B onto the unit's door. Adjust the position of Part B, make sure Part A can smoothly slide into Part B.



Tighten the screws and place the Cover D onto Part B.

- IST
- B** x4
 - C** x4
 - D** x4
 - E** x8
 - F** x16
 - H** x2
 - I** x1
 - J** x2
 - K** x1
- You may need:
- Screwdriver
 - Cover C (at the top back of fridge)